

User guide





TABLE OF CONTENTS	Page
<b>NOTICE.....</b>	<b>2</b>
<b>1 SYSTEM REQUIREMENTS .....</b>	<b>2</b>
<b>2 BEFORE USING.....</b>	<b>2</b>
2.1 Connect to a PC and download audio files .....	2
2.2 Removing the player from the PC safely .....	2
2.3 Charge the battery .....	2
2.4 Using memory card .....	3
<b>3 KEYS DESCRIPTION.....</b>	<b>3</b>
<b>4 POWER ON/OFF .....</b>	<b>3</b>
<b>5 BASIC OPERATION.....</b>	<b>4</b>
<b>6 PLAYING MUSIC.....</b>	<b>4</b>
6.1 Enter the music mode .....	4
6.2 Folder navigation.....	4
<b>7 PLAYING VIDEOS.....</b>	<b>4</b>
<b>8 VIEWING PHOTOS .....</b>	<b>5</b>
<b>9 READING E-BOOK .....</b>	<b>5</b>
9.1 Reading.....	5
9.2 Using bookmark .....	5
<b>10 BROWSING ALL FILES.....</b>	<b>5</b>
<b>11 VOICE RECORDING .....</b>	<b>5</b>
<b>12 DELETING FILE .....</b>	<b>6</b>
<b>13 PLAYING GAME.....</b>	<b>6</b>
<b>14 CUSTOMIZING SETTINGS .....</b>	<b>6</b>
<b>15 TROUBLESHOOTING.....</b>	<b>7</b>
<b>16 TECHNICAL SPECIFICATIONS .....</b>	<b>8</b>
<b>17 NOTICE.....</b>	<b>9</b>



## Notice

- Download latest user manual from [www.memup.com](http://www.memup.com) if there is a difference in the instructions given in this manual.
- Do not disconnect the player when it is being formatted or uploading /downloading data.
- Do not subject the device to severe impact or drop it from high position.
- Do not use the player in extreme hot or cold, dusty or damp field. Do not expose it to direct sunshine.
- Back up the data frequently in case of accident data loss.
- Avoid using the player in strong magnetic field.
- Keep the device away from water or other liquids. In the event that water or other liquids enter the device, power off the product immediately, and clean the device.
- Do not use chemical solution to clean the device in order to avoid corrosion. Clean it with a dry cloth.
- Do not attempt to disassemble, repair or modify the product. This will invalidate guarantee.


## 1 System Requirements

- Hardware: IBM PC & Compatible PC, Notebook with USB interface
- Operating System: Windows98/SE, Windows Me, Windows2000/XP and Vista.


## 2 Before Using

### 2.1 Connect to a PC and download audio files

This player is plug & play for WIN2000/XP/ME OS. But for Windows98/SE, you are required to install a driver before connection (See “Driver Installation” section for details). To connect it with PC for transferring files,

- (1) Plug the larger end of the USB cable to the USB port of the PC, and plug the smaller end to the USB port of the player.
- (2) When the  icon appear at the right bottom of the PC screen, double click “My Computer” on the desktop, you see a removable disk which indicates the player. Just use the removable disk as a regular local disk, copying files from or to it.

### 2.2 Removing the player from the PC safely - For Windows2000/XP:

- (1) Left click the  icon at the right hand corner of the taskbar.
- (2) Click the pop-up mini-window with message of “Stop the USB Mass Storage Device – Drive (X)”.
- (3) When you are prompted to remove the device, pull out the player.
- (4) For Win98, please make sure the data transfer is completed before unplugging the MP3 player.

### 2.3 Charge the battery

The device has a built-in lithium-ion rechargeable battery. It is charged via USB connection. You are required to charge it when you use it for the first time. It takes about 3 hours to fully charge the battery. Connect the larger end of the USB cable to the USB interface of PC, and connect the other smaller end of the USB cable to the USB interface of this player. The device is connected to PC and being charged.

**NOTICE:** For maximum performance, lithium-ion batteries need to be used often. If you don't use the device often, be sure to recharge the battery at least once per month.



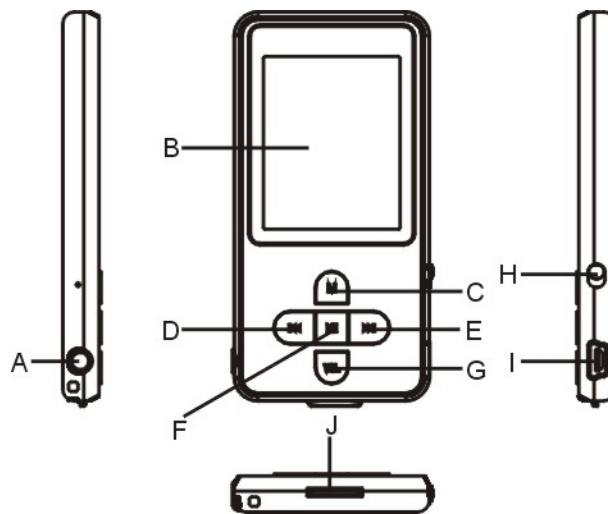
## 2.4 Using memory card

The device has a memory card slot for reading data from a micro-SD card.

To use a memory card,

- (1) Insert a Micro-SD card to the card slot on the unit body.
- (2) Press and hold the **MENU** button to display the main menu.
- (3) Select “Explorer” and press the **MENU** button to enter the folder browser mode.
- (4) In the folder browser mode, you see two folders named “Internal memory” and “Micro **SD**”. To play the audio or video files stored on the memory card, access the “Micro **SD**” folder.

## 3 Keys Description



- A. **Earphone Jack**
- B. **LCD Display**
- C. **MENU**: Hold for a while to enter the main menu. Briefly press to confirm selection confirm or enter the folder navigation mode.
- D. **Previous**: Play the previous track. Also move up.
- E. **Next**: Play the next track. Also move down.
- F. **Play/Pause**: Turn on or turn off the device. Also play or pause audios.
- G. **VOL (volume)**: Adjust the volume. Also return to the previous screen.
- H. **Power Switch**: Turn on or turn off the power
- I. **USB Port**: Connect to a computer
- J. **Memory Card Slot: For inserting a Micro SD-card**

## 4 Power On/Off

To power on,

- (1) Slide the **Power Switch** to the right to turn on the power.
- (2) Press and hold the **PLAY/PAUSE** button until you see prompt on the display.

To power off,

- (1) Press and hold the **PLAY/PAUSE** button until you see prompt on the display.
- (2) Slide the **Power Switch** to the left to turn off the power. (Be sure to complete this step for saving battery charge.)



**Note:** K-SLIM LS has a power-saving feature which enables the device to power off automatically if it is idle for about 3 minutes.

## 5 Basic operation

Function	Operation
Play/Pause	Press the <b>PLAY/PAUSE</b> button to play or pause.
Adjust Volume	(1) Shortly press the <b>VOL</b> button to see a red volume icon animating. (2) Press the <b>PREVIOUS/NEXT</b> button to decrease or increase volume. (3) Press the <b>VOL</b> button to confirm.
Previous Track	Shortly press the <b>PREVIOUS</b> button.
Next Track	Shortly press the <b>NEXT</b> button.
Fast Forward	Press and hold the <b>NEXT</b> button.
Rewind	Press and hold the <b>PREVIOUS</b> button.
Lock/unlock buttons	Hold down the <b>PLAY/PAUSE</b> and <b>VOL</b> button simultaneously.
A-B Repeat	To repeat a specified section of a track, (1) During playing, shortly press the <b>VOL</b> button to enter A-B repeat mode. (2) Press the <b>MENU</b> button again to select the start point. (3) Press the <b>MENU</b> button again to select the end point. To stop A-B repeat, press the <b>MENU</b> button, and then press the <b>VOL</b> button to exit.

## 6 Playing music

### 6.1 Enter the music mode

Press and hold the **MENU** button to display the main menu. Use the **PREVIOUS/NEXT** button to select “Music” menu, and press the **MENU** button to confirm selection. Now you are in the MUSIC mode, refer music playing to the basic operations.

### 6.2 Folder navigation

To navigate through folders:

- (1) In the MUSIC mode, shortly press the **MENU** button to enter folder navigation mode.
- (2) Press the **PREVIOUS/NEXT** button to select a folder or track, and press the **MENU** button to confirm selection.

## 7 Playing videos

**NB : Multilingual user guides and video conversion tool are directly preloaded on the flash memory of the player.**

- (1) Press and hold the **MENU** button to display the main menu.
- (2) Use the **PREVIOUS/NEXT** button to select the “Video” menu, and press the **MENU** button to enter the video player mode.
- (3) Press the **PREVIOUS/NEXT** button to search a video file that you want to play, and press the **MENU** button to play. For detail information about playing, see the “Basic Operation” section. (Note: During playing, you can shortly press the **MENU** button to enter folder navigation mode.)

**Note:** K-SLIM LS can only play AVI videos. For other formats, you need to use the converting tool included on the flash memory to convert them. For detail information about the converter, see AVI Converter Quick User Guide on the flash memory.



## 8 Viewing photos

To view photos,

- (1) Press and hold the **MENU** button to display the main menu.
- (2) Select “Photo” and press the **MENU** button to confirm.
- (3) Press the **PREVIOUS/NEXT** button to select a folder or image, and press the **MENU** to confirm.
- (4) Select the photo that you want to display and press the **MENU** button to enlarge it to full screen.
- (5) In the full screen mode, you can press the **PREVIOUS/NEXT** button to display the previous or the next photo. Press the **PLAY/PAUSE** to start auto slide show, or press the **MENU** button to enter folder navigation mode.

**Note:** Some images may not be displayed. Try to use an image viewer to convert them.

## 9 Reading E-book

### 9.1 Reading

- (1) Press and hold the **MENU** button to display the main menu.
- (2) Select “E-book” and press the **MENU** button to confirm.
- (3) Press the **PREVIOUS/NEXT** button to select a .txt file, and press the **MENU** button to open the selected file.
- (4) Press the **PREVIOUS/NEXT** button to page up or page down, or press the **PLAY/PAUSE** button to page up or down automatically (by setting the time interval between 1 and 5 in Settings/Auto Slide show/Text).
- (5) During reading, you can use the bookmark to mark the page for resuming reading later. For information about bookmark, see “Using bookmark” section.

### 9.2 Using bookmark

- (1) Go to the page that you want to mark.
- (2) Press and hold the **VOL** button to show up a “Save Bookmark” window for saving bookmark.
- (3) Press the **PREVIOUS/NEXT** button to select one line on the menu and press the **MENU** button to confirm. The bookmark is saved. It starts from the first line of current page.
- (4) To read the page that you marked, shortly press the **VOL** button to show up the “Load Bookmark” window. Select the bookmark and press the **MENU** button to confirm. You will be guided to that page.

**Note:** Some TXT file may not be read. This may because its format is not supported. Skip it or reload another file.

## 10 Browsing all files

To browse all files stored in the player,

- Press and hold the **MENU** button to display the main menu.
- Select “Explorer” and press the **MENU** button to enter the browser mode.
- Press **PREVIOUS/NEXT** button to select a file that you want to view, and press the **MENU** button to play or display it.

## 11 Voice Recording

### ● Record

- (1) Press and hold the **MENU** button to display the main menu.



- (2) Select "Record" and press the MENU button to enter the recorder mode.
- (3) Shortly press the PLAY/PAUSE button to start recording. During recording, you can press the PLAY/PAUSE button to pause or resume recording.
- (4) Shortly press the **MENU** button to stop and save recording.

● **Play recordings**

To play the recording, switch to the MUSIC mode, enter folder navigate mode, search and play the recording file.

## 12 Deleting file

To delete a file,

- (1) In the folder navigation mode, select the file that you want to delete.
- (2) Press and hold the VOL button until a dialogue box shows up.
- (3) Use the PREVIOUS/NEXT button to select "YES" and press the MENU button to confirm.

## 13 Playing game

This player provides a popular and funny game - Tetris World. To activate the game, on the main menu, select "Game" and press the MENU button to enter the gaming mode. Basic operation is as follows:

<b>Start game</b>	Press the PLAY/PAUSE button
<b>Move the block left and right</b>	Press PREVIOUS and NEXT button
<b>Rotate the block</b>	Press the MENU button
<b>Insert the block</b>	Press the VOL button

## 14 Customizing Settings

To customize the player settings:

- (1) On the main menu, select the "Settings" item and press the **MENU button** to enter the system settings mode.
- (2) Press the PREVIOUS/NEXT button to select setting item and press the **MENU button** to confirm or press the **VOL** button to cancel/return.

<b>Music</b>	Repeat mode	Once ( Play current track once and then stop )
		Repeat One (Repeat current track)
		Folder (Play all audio files in the current folder and stop after playing)
		Folder Rep.(Repeat all audio files in the current folder)
		Normal (Play all audio files stored in the player and stop after playing all)
		Repeat All (Repeat all audio files stored in the player)
		Intro (Play the first 10 seconds of every audio file)
	Play mode	Order (Play audio files in order)
		Shuffle (Play audio files randomly)
	Preset EQ	Normal, 3D, Rock, Pop, Classical, Bass, Jazz, User EQ



	User EQ (User-defined equalizer setting)	Press the VOL button to switch EQ column. Press the PREVIOUS/NEXT button to adjust value. Repeat pressing the VOL button until the cursor is on the YES button, and then press the MENU button to confirm. Go to the EQ Select menu, and select User EQ to enable the equalizer setting.
<b>FM Radio</b>	Stereo SW (Enable or disable stereo effect)	On, Off
	FM region	China, Europe, Japan, America
<b>Record</b>	REC Quality	High Quality, General Quality
	REC Volume	+1, +2, +3, +4, +5
<b>Auto slide show</b>	TEXT (Set interval between the previous and the next page when the device is in auto page up/down mode.)	
	Photo (Set interval between the previous and the next slide in auto slide show mode.)	
<b>Display</b>	Backlight	5 seconds, 10 seconds, 15 seconds, 20 seconds, 30 seconds, Always On.
	Brightness (Set the brightness of the screen)	
	Backlight mode	Normal Power Save (Turn off the screen when there is no activity within a certain time)
<b>System</b>	About - Information about the product	
	Upgrade - Upgrade the firmware	
	Load Default - Restore the player to default setting	
<b>Sleep Timer</b> (Set the continuous playing time before the player is turned off automatically.)	Off, 10 minutes, 15minutes, 30 minutes, 60 minutes, 120 minutes	
<b>Language</b> ( Select language in which the on-screen text is displayed)	English, Spanish, French, German, Italian, Portuguese, Russian, etc.	

## 15 Troubleshooting

Problem	Possible Cause	Solution
The LCD displays nothing when the device is started.	Battery is too low.	Charge the battery.
No sound when playing an audio file	The volume is too low.	Adjust the volume.
	Bad audio file.	Delete or skip the file.



The player cannot be connected to the PC.	The USB interface is not supported by PC's motherboard.	Update or replace the PC's motherboard.
The displayed time is changing constantly.	The bit rate of the MP3 file is changing during playback.	Try to use fixed bit rate to compress the MP3 file.
The PC has error when you plug and unplug the player.	The player is disconnected from the PC abruptly while transferring files.	Do not disconnect the player from the PC when transferring files.
Total memory displayed on the player is not in accordance with the marked amount.	Part of memory is used to store programs and display characters.	
Some of MP3 files cannot be played properly.	The MP3 file is compressed by a standard, such as MPEG I Layer 1 or Layer 2 that the player does not support.	<ol style="list-style-type: none"> <li>1. Delete the unsupported MP3 files.</li> <li>2. Use MPEG I Layer 3 standard to compress the unsupported MP3 files.</li> </ol>
The video cannot be played.	The file format is not supported.	Make sure the video is in AVI format. If not, use the provided converting tool to convert it.
	The video data is corrupted	Skip it or reload another file
The photo cannot be displayed	The file format is not supported	Try to use an image editor to convert it.
	The image resolution is beyond limitation of the device.	The device supports a maximum resolution of 2560 X 2048. Make sure resolution of the image does not exceed this limitation.
The TXT file cannot be read	The file format is not supported.	Skip it or reload another file.

## 16 Technical Specifications

Item	Specification
Battery Type	Rechargeable Lithium Battery
Battery Life	5 – 10 Hours
LCD Display	1.8-inch CSTN screen
Earphone Power	5mW+5Mw
Video Format	AVI (XviD)
Audio Format	MP3, WMA
Photo Format	JPEG
Image Resolution	2560 X 2048 (Max.)
Bit Rate	MP3: 8-320kbps; WMA: 32-384kbps
SNR	> 90dB
USB Port	USB2.0



Operational Temperature	0°C ~ +55°C
Storage Temperature	-20°C ~ +55°C
Operational Relative Humidity *	20% ~ 90% (40°C)
Storage Relative Humidity *	20% ~ 93% (40°C)

## 17 Notice

- Make sure all keys are enabled before operation. If they are locked, hold down the PLAY/PAUSE and VOL button to unlock them.
- Please charge the battery immediately when the display indicates low battery, or the device will be powered off automatically.
- The device does not guarantee compatibility with all memory cards from various manufacturers.
- Please disconnect the player from PC properly to avoid data loss.
- The transfer rate displayed on the PC may be different depending on the operating system. Exact transfer rate should be subject to the player's indication.
- When the recorded voice file is too large, the response of the device may be slow.

### **LIMITATION OF LIABILITY AND DAMAGES.**

IN NO EVENT WILL MANUFACTURER AND MANUFACTURER'S RESELLERS (COLLECTIVELY REFERRED TO AS "THE SELLERS") BE LIABLE FOR DAMAGES OR LOSS, INCLUDING BUT NOT LIMITED TO DIRECT, INDIRECT, SPECIAL WILLFUL, PUNITIVE, INCIDENTAL, EXEMPLARY, OR CONSEQUENTIAL, DAMAGES, DAMAGES FOR LOSS OF BUSINESS PROFITS, OR DAMAGES FOR LOSS OF BUSINESS OF ANY CUSTOMER OR ANY THIRD PARTY ARISING OUT OF THE USE OR THE INABILITY TO USE THE PRODUCT OR THE SOFTWARES, INCLUDING BUT NOT LIMITED TO THOSE RESULTING FROM DEFECTS IN THE PRODUCT OR SOFTWARE OR DOCUMENTATION, OR LOSS OR INACCURACY OF DATA OF ANY KIND, WHETHER BASED ON CONTRACT, TORT OR ANY OTHER LEGAL THEORY, EVEN IF THE PARTIES HAVE BEEN ADVISED OF THE POSSIBILITY OF SUCH DAMAGES. BECAUSE SOME STATES DO NOT ALLOW THE EXCLUSION OR LIMITATION OF LIABILITY FOR DAMAGES, THE ABOVE LIMITATION MAY NOT APPLY TO THE PARTIES. IN NO EVENT WILL THE SELLERS' TOTAL CUMULATIVE LIABILITY OF EACH AND EVERY KIND IN RELATION TO THE PRODUCT OR ITS SOFTWARE EXCEED THE AMOUNT PAID BY CUSTOMER FOR THE PRODUCT.